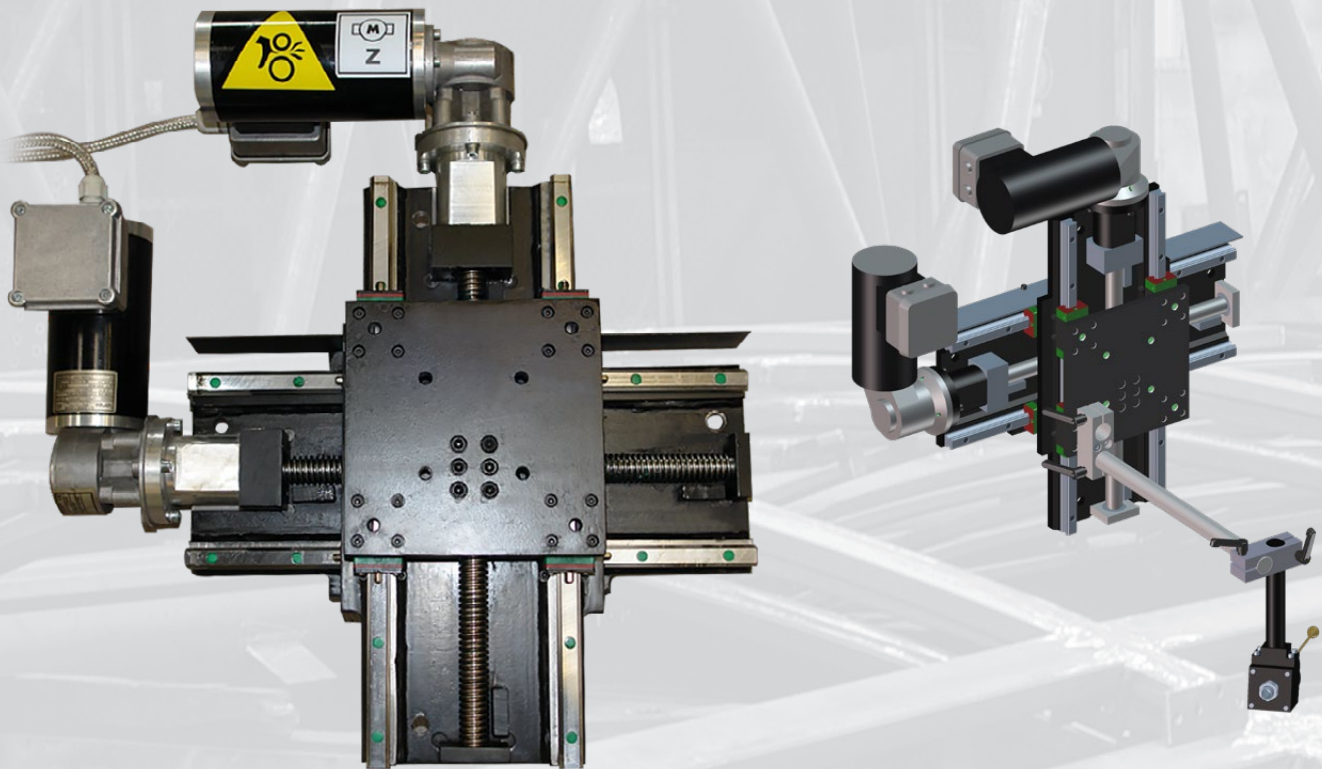


■ JTS | AUTOMATIC JOINT TRACKING SYSTEM

The Joint Tracking System automatically guides the welding torch properly with respect to the weld joint in two axes. It is suitable for GMAW, GTAW, FCAW and SAW applications and can be fitted to column and boom welding manipulators, gantry welding systems and other purpose-designed welding systems.

The electro-mechanical seam tracking system keeps maintaining the correct position of the welding torch relative to the welding groove set at the beginning. Any changes in inclination of a tracking sensor tip generate electrical signal resulting in active compensation of torch position and its motion up to 200 mm in both axes of standard motorized cross slide system. Movement range can be customized upon customer's request.

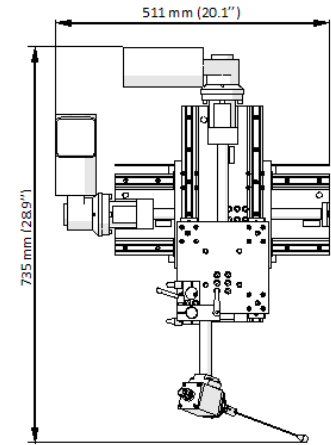


■ Features and benefits:

- Standard movement range of 200 x 200mm
- Electro-mechanical joint tracking system with high-precision linear guides ensures precise and smooth motion of 2 axes (up-down, right-left)
- Real-time compensation of head position relative to the welding groove
- Minimized welding defects and grinding
- Cross slide can be tailored to customers' needs
- User friendly control pendant
- Possibility to track only in one Z-axis (up-down) useful for butt welding
- Possibility to integrate with welding oscillator
- JTS system is perfect for fillet and butt welding in tanks, vessels as well as construction beams

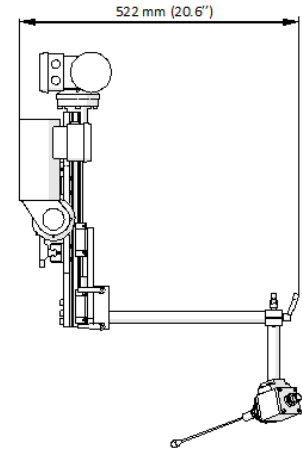
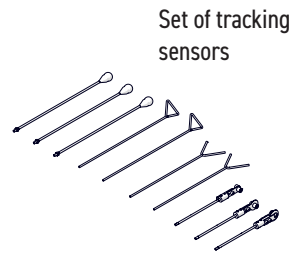
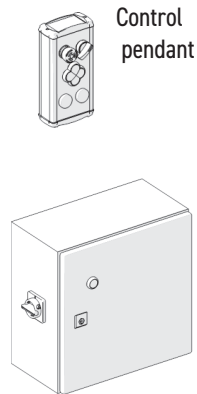
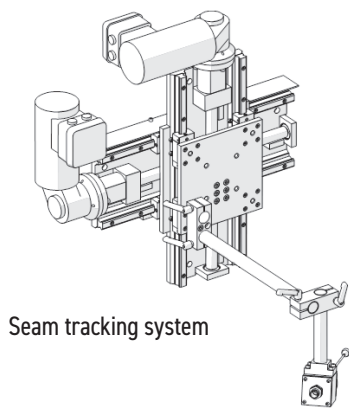
TECHNICAL SPECIFICATION FOR JTS - JOINT TRACKING SYSTEM 200 X 200

Voltage	230 V, 50/60 Hz + PE
Power	500 W
Cross slide vertical movement range (up-down axis)*	200 mm (7.9")
Cross slide horizontal movement range (right-left axis)*	200 mm (7.9")
Cross slide vertical movement speed (up-down axis)	360 mm/min (14.2 in/min)
Cross slide horizontal movement speed (right-left axis)	360 mm/min (14.2 in/min)
Required ambient temperature	5-40°C (41-104°F)
Weight	45 kg (100 lbs)
Integration with external safety devices	YES

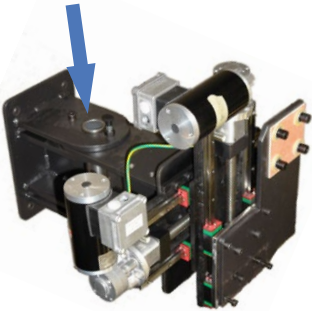


* Movement range can be customized upon customer's request.

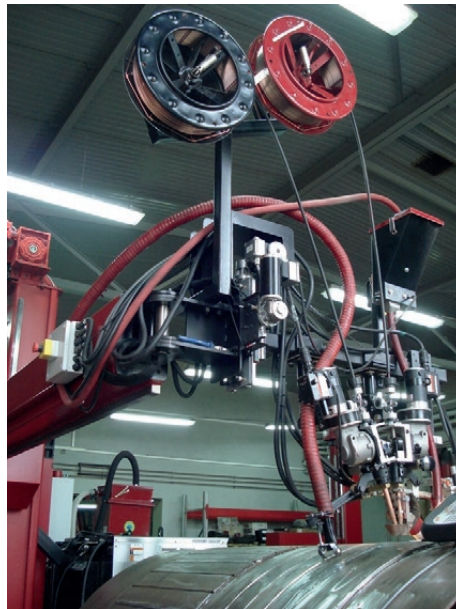
■ Main components of the JTS:



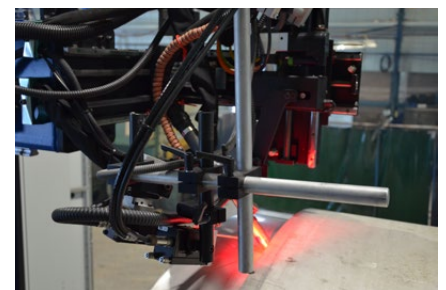
The JTS can be applied for both circumferential and longitudinal welding, thanks to a swivel type connection.



Longitudinal welding (tanks, beams)



Circumferential welding (tanks, vessels)



The JTS can be enriched with oscillator and visual system



Mitglied im DVS - Deutscher Verband für Schweißen und verwandte Verfahren e. V.



More information available at www.promotech.eu

All information is subject to change without notice. 20.11



PROMOTECH Sp. z o.o.
ul. Elewatorska 23/1, 15-620 BIAŁYSTOK, POLAND
tel. (+48 85) 678 34 05, fax (+48 85) 662 78 77
marketing@promotech.eu www.promotech.eu

Your local dealer:

