

■ MCM-1000 | 5-AXIS PORTABLE CNC 3D CUTTING/BEVELING AND WELDING MACHINES TO OFFSHORE WIND TOWERS!

The 3 in one machine

- measurement
- cutting/beveling
- welding

Promotech MCM machines are a true portable CNC cutting and welding machines already proven with several Customers in Wind Business, including multiple successful installations!

Promotech's MCM machines supports Offshore projects with regards to cutting/beveling different opening in TP's and monopiles, for example **Hornsea Project One offshore wind farm!**

■ MCM machines as standard are available in the configuration:

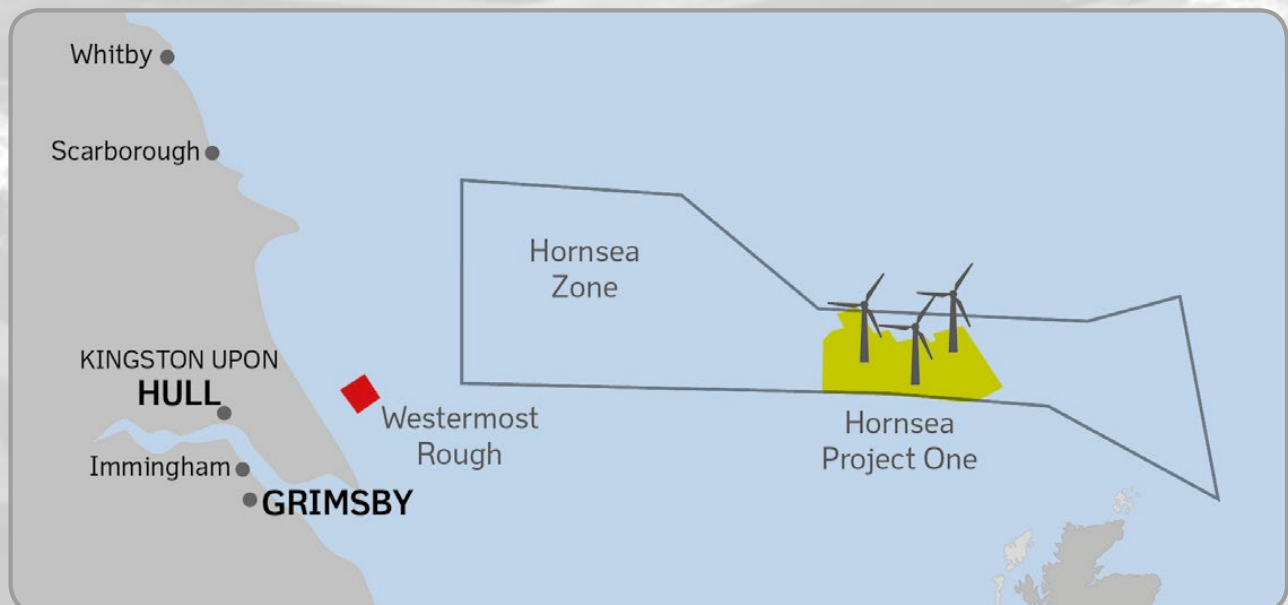
- MCM Oxy-straight cutting/beveling, for single or double sided bevel
- MCM SAW ACDC welding (recommended)

■ Options:

- MIG-MAG / FCAW-G / MCAW (available upon Customer request only)

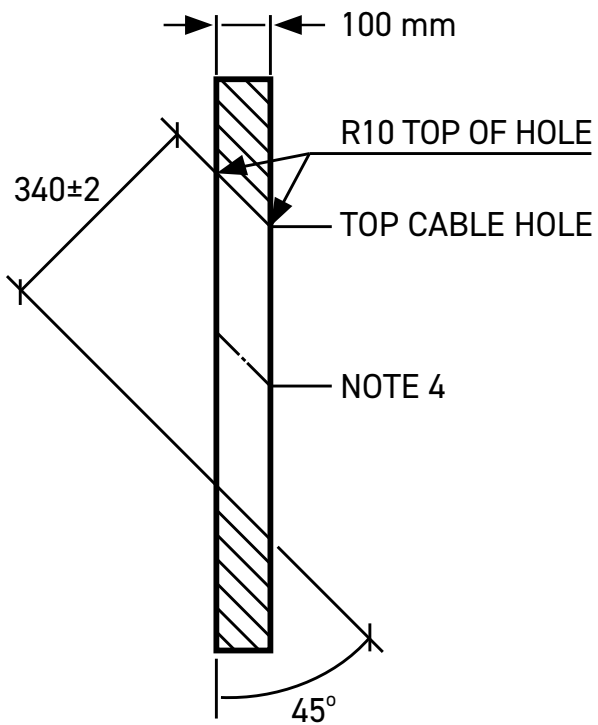
■ MCM main advantages:

- Each workpiece (e.g. doorframe) can be scanned to obtain individual cutting/welding CNC path
- No joint tracking system required
- Fast and easy positioning
- Cutting, beveling and welding processes are performed in automated and semi-automated cycles
- High quality SAW welds, welding defect rate much less 1%
- No grinding of finished SAW welding seams
- One-man operation
- Wi-Fi monitoring / On-line service connection (on demand)
- No CNC programming required

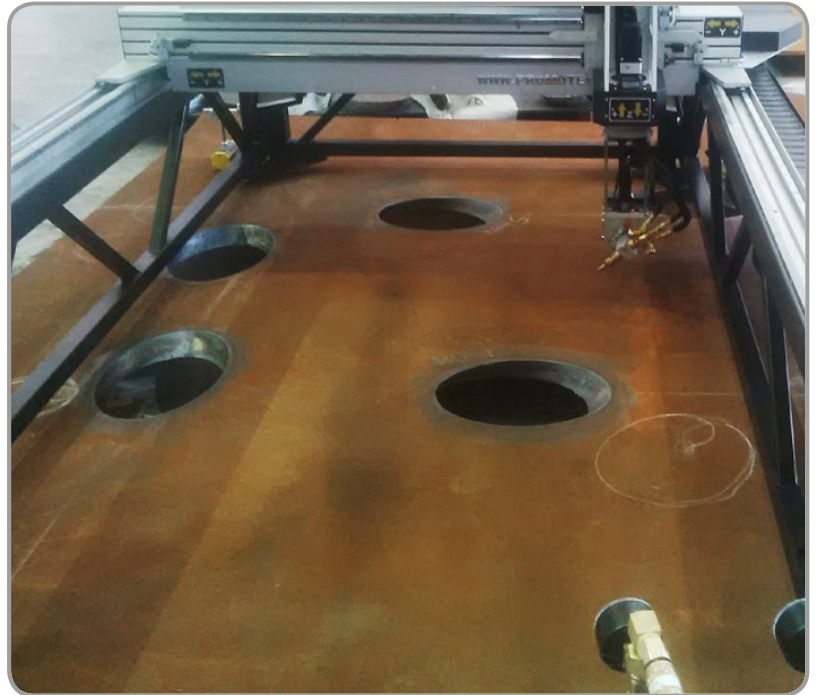


5 AXIS PORTABLE CNC MCM 1000

SAMPLE OFFSHORE WIND TOWERS 3D OXY-CUTTING APPLICATIONS



2D drawing, plate thickness approx. #100 mm.



The test of 3D MCM Oxy-cutting prior to final cut inside XL monopile at Customer site by Promotech Team. MCM 3D Oxy-cutting accuracy is better than requirements from END-Customer.



Final result



Overall view of XL monopile

5 AXIS PORTABLE CNC MCM 1000
SAMPLE OFFSHORE WIND TOWERS 3D CUTTING APPLICATIONS



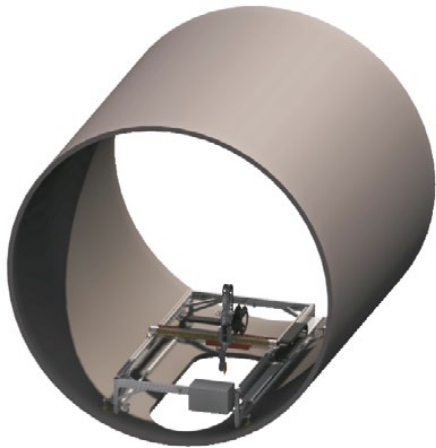
MCM Inside XL Size Monopile



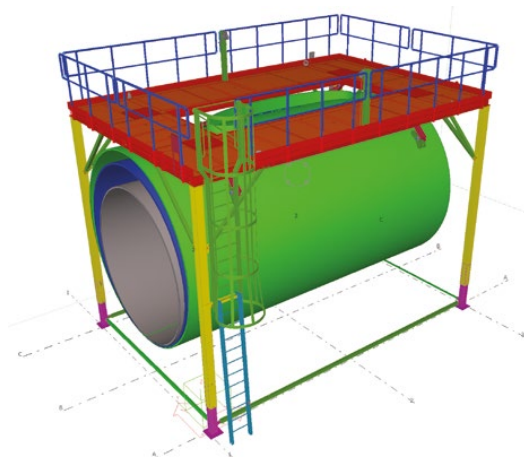
The test of 3D MCM Oxy-cutting prior to final cut at Customer by Promotech Team, plate thickness approx. #80mm.

Typical MCM work-station setup

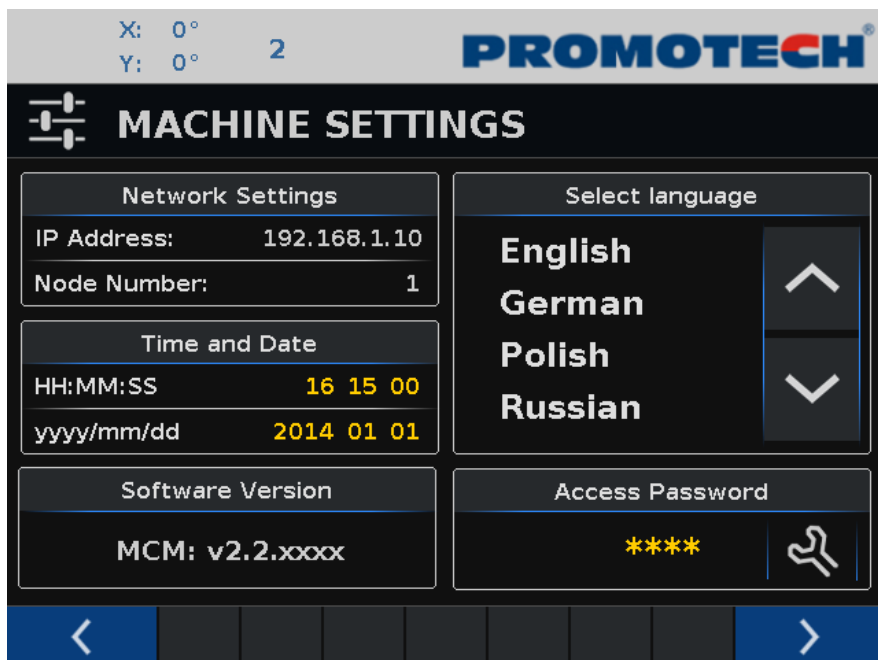
• internal



• external



MCM machines are available with an on-line connection software (on demand)



Built-in network router enables remote access to machine interface (VNC Network)



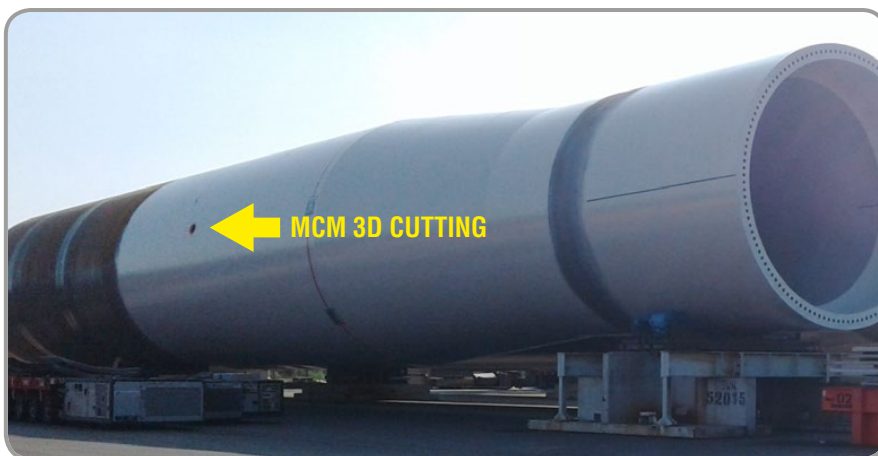
Compatible with mobile and desktop devices



WIFI and cable connections



On-request software updates and machine diagnostics



American Welding Society
Supporting Company Member

Mitglied im
DVS
DVS – Deutscher Verband für Schweißen
und verwandte Verfahren e.V.



PROMOTECH Sp. z o.o.
ul. Elewatorska 23/1, 15-620 BIAŁYSTOK, POLAND
tel. (+48 85) 678 34 05, fax (+48 85) 662 78 77
marketing@promotech.eu www.promotech.eu

Your local dealer:

